

Technical Information

Material

1.5mm Galvanized
Powder Coating
RAL7035

Features

19" Device Compatibility
IP55 Protection
Brushed Cable Organizer
Air Conditioning Options
L Type Ventilation Duct
Glass Front Door
Rear Metal Door
Thermometer
PG48 Gland
Cable Tray
Inner Walls
Pinion Feet
Switch
PDU
LED
Plinth
Castor





Front View



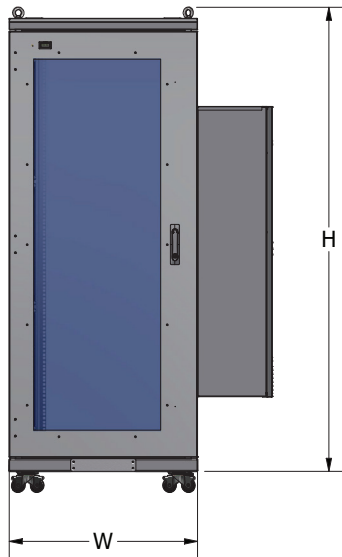
Rear View



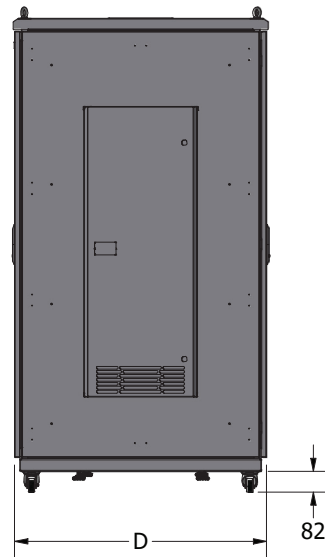
AIR CONDITIONING OPTIONS ARE GIVEN ON THE SIDE.



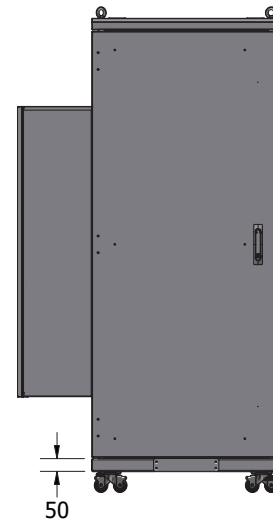
Front View



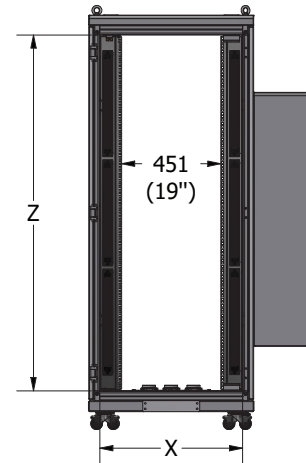
Side View



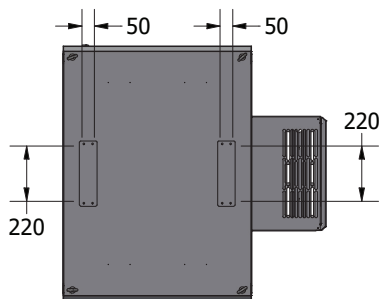
Rear View



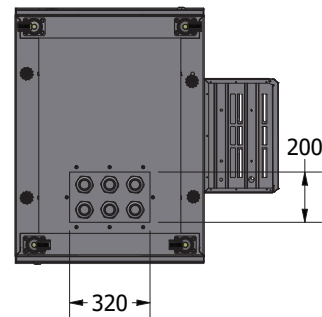
Front View Detail



Top View

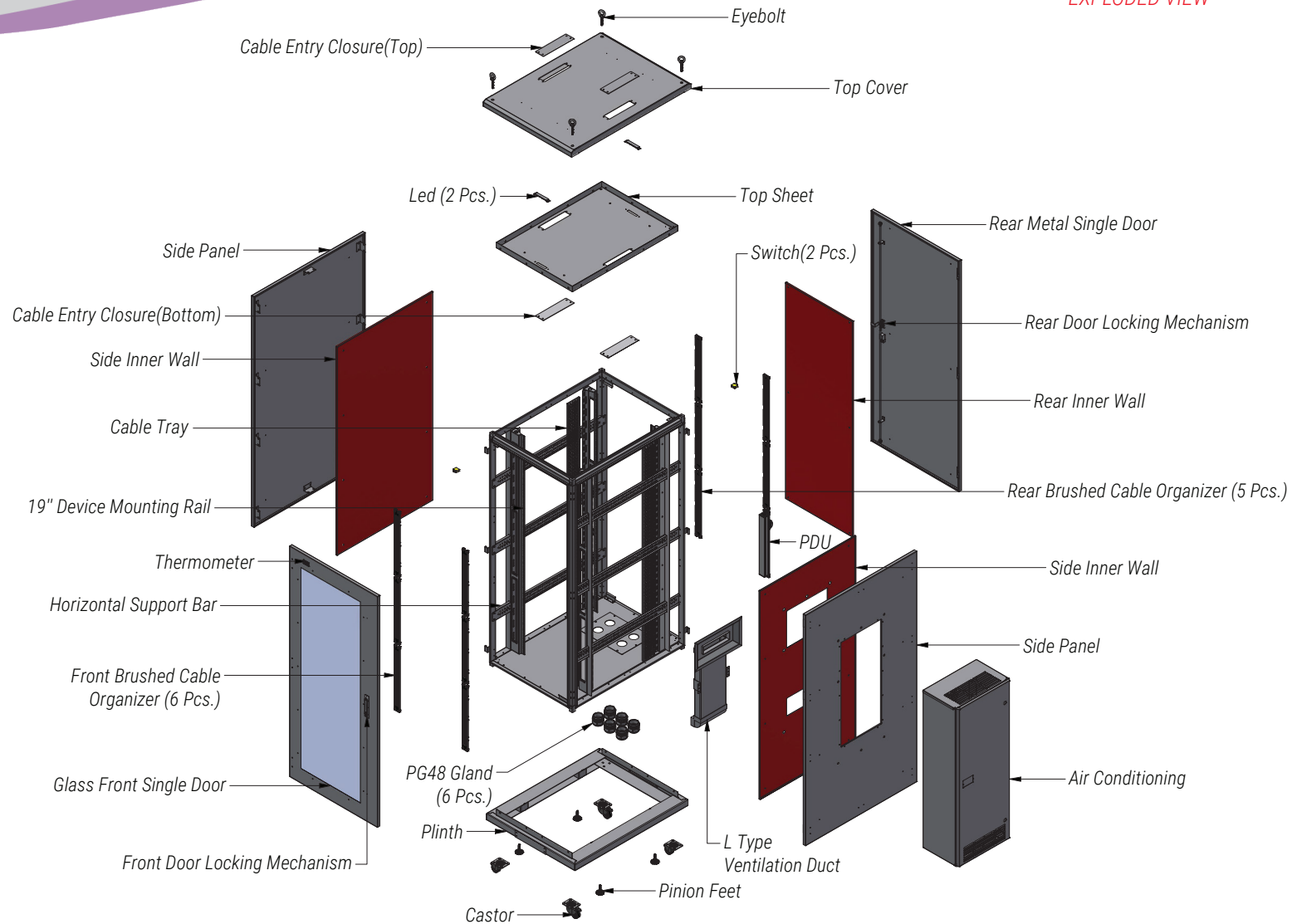


Bottom View



		SIZE		
		26U	36U	42U
DIMENSIONS	W	750mm	750mm	750mm
	D	1000mm	1000mm	1000mm
	H	1403mm	1847.5mm	2114mm
	X	650mm	650mm	650mm
	Z	1173,5mm	1618mm	1885mm

IP55 W750 D1000
GROUND TYPE RACK CABINET
-EXPLODED VIEW-



***INNER WALLS ARE SHOWN IN RED COLOR FOR VISUAL PURPOSES.**